

BAR FRIDGES

Cooling the Beers of a Nation Australia

Bringing the worlds best chillers to Australia

MODEL: **HUS-SC50AB**

QUICK INFO

Black Tropical rated glass door mini bar fridge, very well built unit with internal fan, chromed shelves, reversible door with lock and brilliant finish. Very stable temperature and plenty of shelf adjustments utilizing 1 x full sized and 1 x half sized shelf.

Proven already in the market over a long time.



PARTS AND ENERGY INFO

- 12Volt Fans
- Cyclopentane foaming
- LED lighting
- LOW E glass
- R600 100% ozone safe gas

SPECIFICATIONS

Capacity (litres)	50
Holds (cans)	38
Noise Level	41
Consumption	1.10Kwh/24Hrs
Unit dimensions (WxDxH)	435 x 500 x 510
Lockable	Yes
Gross weight	16 kg



SCHMICK 
Australia

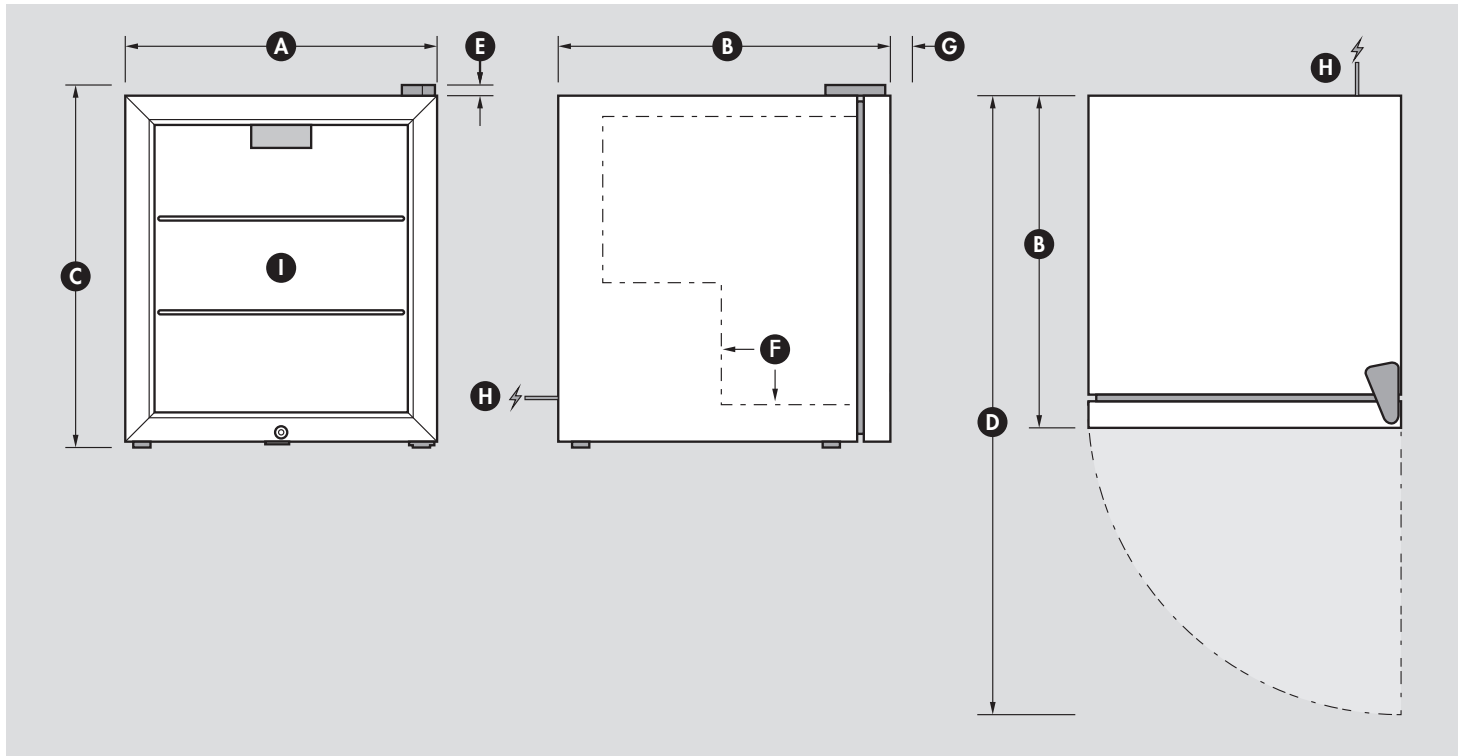
**Specifications and price of this product may change at any time

**For more information about this product please call us or visit our website.

Tested and registered to GEMS Act 2012,
using ISO testing standard 23953-2,
unit meets MEPS requirements.

PRODUCT INFORMATION

HUS-SC50AB



INFORMATION

DIMENSIONS

Ⓐ	Overall width	430mm
Ⓑ	Overall depth	490mm
Ⓒ	Overall height - includes feet	510mm
Ⓓ	Overall depth with door open	890mm
Ⓔ	Height of hinge cap (included in height above)	10mm
Ⓕ	Internal step inside unit	210mm In & 190mm High
Ⓖ	Depth of handle (adds to depth above)	35mm
Ⓗ	Power cord location & length	1800mm
Ⓘ	Internal dimensions (WxDxH)	340 x 380 x 420mmH

Note: Door opens maximum 10mm outside fridge diameter

INSTALLATION & BUILDING INTO CAVITY'S

Minimum cavity size needed (WxDxH) 470 x 530 x 530mmH
 Venting type of fridge REAR - A rear vent would lessen run times.

****Note: If wanting a 'cabinet door' in front of fridge door please contact us****

OTHER HELPFUL INFORMATION

Height floor to bottom of door	20mm
Door size (WxH)	435 x 480mmH
Feet height fully tightened	15mm
Height adjustment available on current feet	None
Change feet size for extra height option	N/A
Shelf Qty / Size	1 x (345x310mmD) & 1 x (345x205mmD)
Wine Shelf available (Y/N)	Yes

PERFORMANCE

Cooling	Can cool to 0oC (Zero)
Application suitability	Indoor
Maximum operating ambient temperature	32oC
Meps energy approved & food grade	Yes