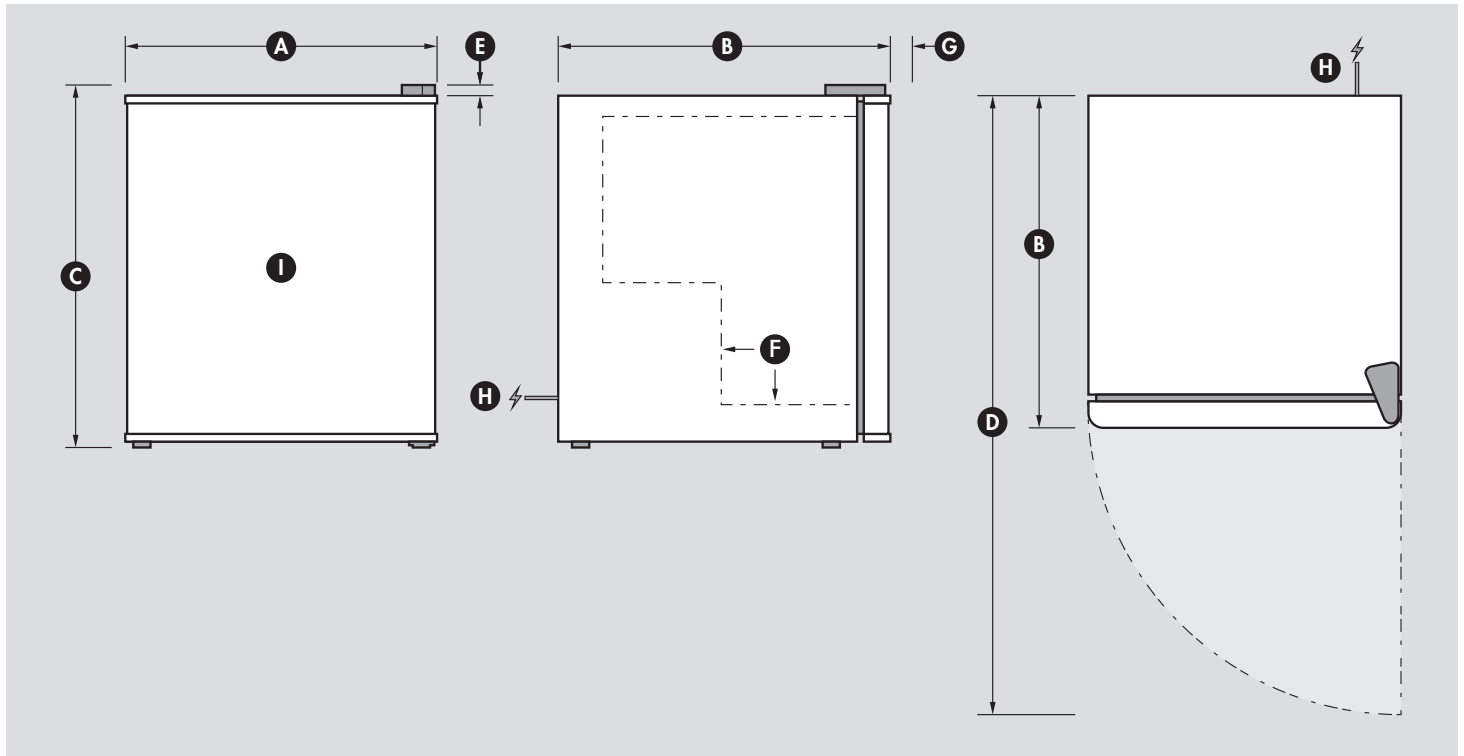


PRODUCT INFORMATION

HUS-BC46B2



INFORMATION

DIMENSIONS

(A)	Overall width	430mm
(B)	Overall depth	470mm
(C)	Overall height - includes feet	510mm
(D)	Overall depth with door open	875mm
(E)	Height of hinge cap (included in height above)	10mm
(F)	Internal step inside unit	210mm In & 190mm High
(G)	Depth of handle (adds to depth above)	N/A
(H)	Power cord location & length	1800mm
(I)	Internal dimensions (WxDxH)	340 x 380 x 420mmH

Note: Door opens maximum 0mm outside fridge diameter

INSTALLATION & BUILDING INTO CAVITY'S

Minimum cavity size needed (WxDxH)	470 x 550 x 530mmH
Venting type of fridge	REAR - A rear vent would lessen run times.

****Note: If wanting a 'cabinet door' in front of fridge door please contact us****

OTHER HELPFUL INFORMATION

Height floor to bottom of door	20mm
Door size (WxH)	430 x 480mmH
Feet height fully tightened	15mm
Height adjustment available on current feet	None
Change feet size for extra height option	N/A
Shelf Qty / Size	1 x (345x280mmD) & 1 x (345x130mmD)
	*Has inner shelf cavities on door
Wine Shelf available (Y/N)	Yes

PERFORMANCE

Cooling	Can cool to 0oC (Zero)
Application suitability	Indoor
Maximum operating ambient temperature	32oC
Meps energy approved & food grade	Yes