

# BAR FRIDGES

*Cooling the Beers of a Nation Australia*

## Bringing the worlds best chillers to Australia

### MODEL: **HUS-BC46B2**

#### QUICK INFO

Quiet Small Accommodation Motel Black  
Compressor Driven Mini Bar Fridge 46 Litre

A good quality unit with plenty of shelf height options, tropical rated and runs nice and quiet, unit is great for motel rooms with quiet running compressor.

\*We have many 'branded' designs available, so go to Gift Idea's section on website to see other cool designs. \*We brand in-house so please allow a few weeks for delivery.

#### PARTS AND ENERGY INFO

- Cyclopentane foaming
- R600 100% ozone safe gas
- High Quality Chinese Compressor



#### SPECIFICATIONS

Capacity (litres)	46
Holds (cans)	38
Noise Level	39
Consumption	0.65Kwh/24Hrs
Unit dimensions (WxDxH)	430 x 470 x 500
Lockable	No
Gross weight	16 kg

\*\*Specifications and price of this product may change at any time

\*\*For more information about this product please call us or visit our website.

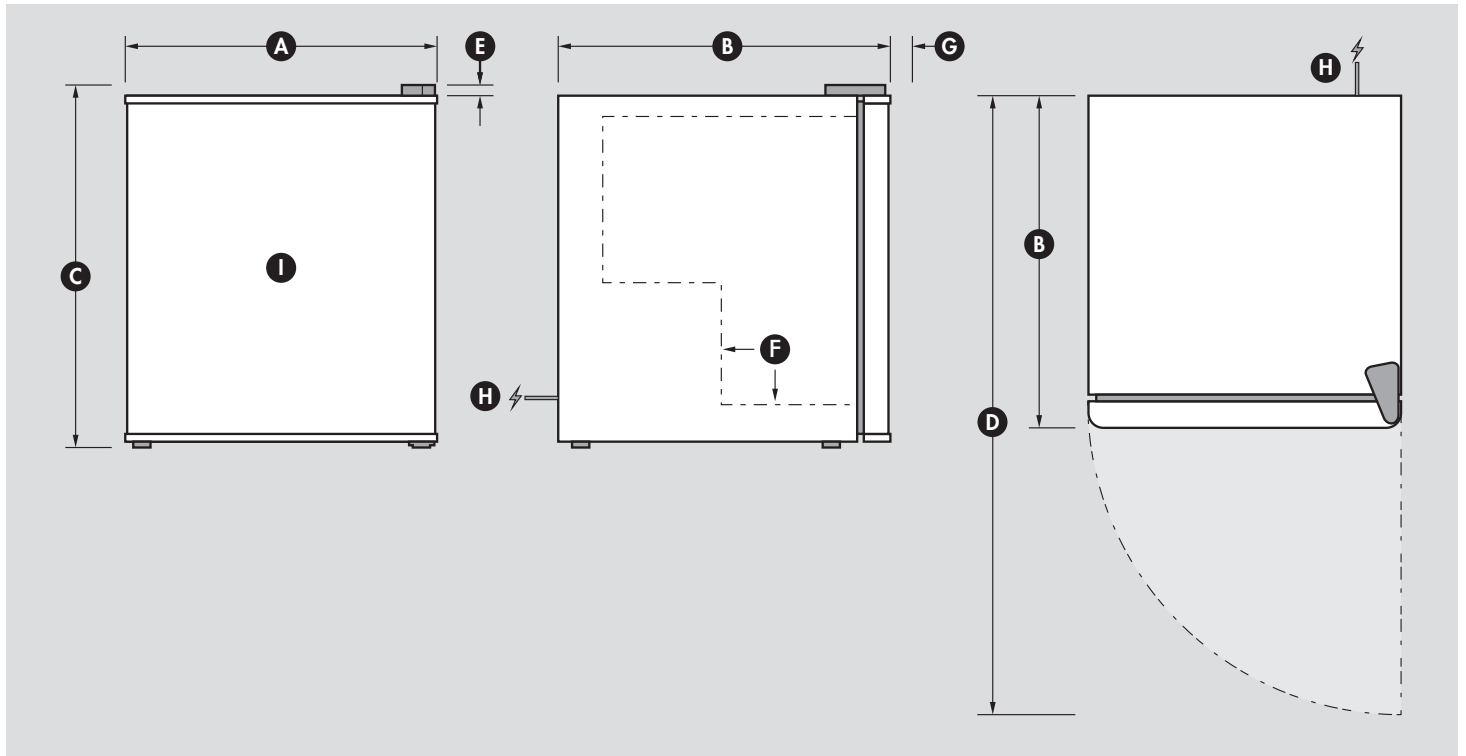


**SCHMICK**  
*Australia*

Tested and registered to GEMS Act 2012,  
using the marking standard 18882,  
and in accordance with the requirements.

## PRODUCT INFORMATION

### HUS-BC46B2



### INFORMATION

#### DIMENSIONS

Ⓐ	Overall width	430mm
Ⓑ	Overall depth	470mm
Ⓒ	Overall height - includes feet	510mm
Ⓓ	Overall depth with door open	875mm
Ⓔ	Height of hinge cap (included in height above)	10mm
Ⓕ	Internal step inside unit	210mm In & 190mm High
Ⓖ	Depth of handle (adds to depth above)	N/A
Ⓗ	Power cord location & length	1800mm
Ⓘ	Internal dimensions (WxDxH)	340 x 380 x 420mmH

Note: Door opens maximum 0mm outside fridge diameter

#### INSTALLATION & BUILDING INTO CAVITY'S

Minimum cavity size needed (WxDxH)	470 x 510 x 530mmH
Venting type of fridge	REAR - A rear vent would lessen run times.

**\*\*Note: If wanting a 'cabinet door' in front of fridge door please contact us\*\***

#### OTHER HELPFUL INFORMATION

Height floor to bottom of door	20mm
Door size (WxH)	430 x 480mmH
Feet height fully tightened	15mm
Height adjustment available on current feet	None
Change feet size for extra height option	N/A
Shelf Qty / Size	1 x (345x280mmD) & 1 x (345x130mmD)
	*Has inner shelf cavities on door
Wine Shelf available (Y/N)	Yes

#### PERFORMANCE

Cooling	Can cool to 0oC (Zero)
Application suitability	Indoor
Maximum operating ambient temperature	32oC
Meps energy approved & food grade	Yes