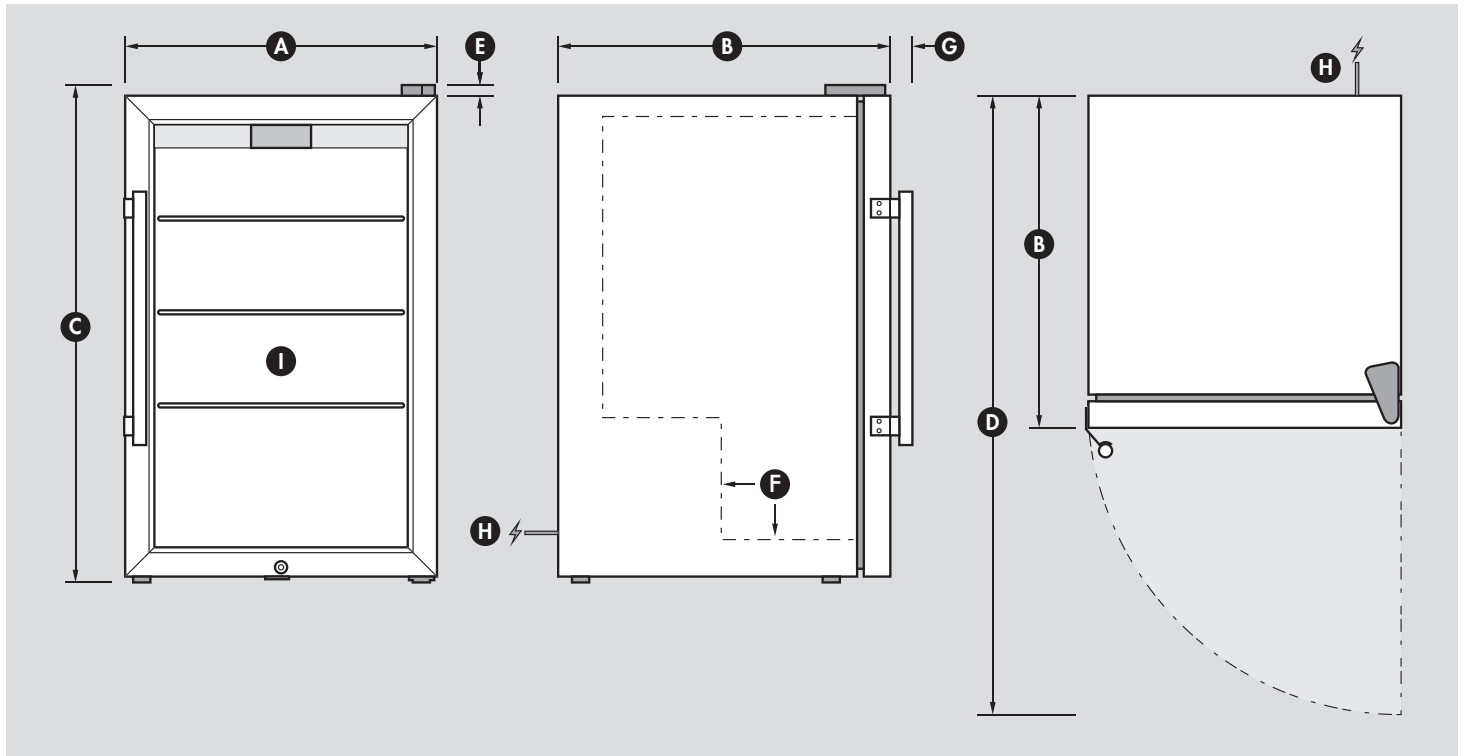


PRODUCT INFORMATION

EC68-SSH



INFORMATION

DIMENSIONS

(A)	Overall width	430mm
(B)	Overall depth	500mm
(C)	Overall height - includes feet	700mm
(D)	Overall depth with door open	895mm
(E)	Height of hinge cap (included in height above)	20mm
(F)	Internal step inside unit	210mm In x 200mm High
(G)	Depth of handle (adds to depth above)	45mm
(H)	Power cord location & length	1800mm
(I)	Internal dimensions (WxDxH)	360x360x595mm

Note: Door opens maximum 3mm outside diameter

INSTALLATION & BUILDING INTO CAVITY'S

Minimum cavity size needed (WxDxH) 470 x 600 x 720mmH
 Venting type of fridge Rear - A vent at rear will help lessen run times

****Note: If wanting a 'cabinet door' in front of fridge door please contact us****

OTHER HELPFUL INFORMATION

Height floor to bottom of door	20mm
Door size (WxH)	430 x 660mmH
Feet height fully tightened	15mm
Height adjustment available on current feet	N/A
Change feet size for extra height option	N/A
Shelf Qty / Size	2 x (350 x 310mmD) & 1 x (350 x 205mmD)
Wine Shelf available (Y/N)	Yes

PERFORMANCE

Cooling	Can cool to 2oC easily in up to 38oC Ambient
Application suitability	Indoor Or Outdoor Enclosed Under Cover
Maximum operating ambient temperature	38oC
Outdoor official IP rating	N/A