

Operation and Installation Manual

BD425 WINE AND BEVERAGE FRIDGE Range

Includes

BD425W / BD425B

BD425W-B / BD425B-B

BD425D / BD425D-B (Dual Zone)

BD425D-X & BD425D-BX (Dual Zone / Drawer)



SCHMICK 
Australia

This appliance is intended to be used in household and similar applications including use in commercial settings. Such as staff kitchen areas in shops, offices and other working environments; by clients in hotels, motels and other residential type environments, such as bed and breakfasts, catering and similar non-retail applications.



Congratulations on the purchase of your new SCHMICK beverage fridge.

Before using your new appliance, please read this manual thoroughly to ensure that you know how to operate and install your new appliance safely and efficiently.

Warnings and general safety Instructions in this manual do not cover all possible conditions and situations that may occur. It is your responsibility to use common sense, caution, and care when installing, maintaining, and operating your appliance.

Because these following operating instructions cover various models, the features of your appliance may differ slightly from those described in this manual, and as such not all warnings in this manual will be applicable to your appliance.

WARRANTY – This unit comes with Australia wide 24 Month comprehensive warranty.

Full warranty statement can be found online at:

<https://bar-fridges-australia.com.au/pages/warranty-statement>

If you have any queries, please contact Bar Fridges Australia's service department on **1300 376849 (Ext2)** or email **vicservice@bar-fridges-australia.com.au** with your Fridge Model details, your Serial Number, and Invoice Number ready for all warranty queries.

Or complete the online form, found at the link below:

<https://www.bar-fridges-australia.com.au/making-a-warranty-claim.html>



GENERAL SAFETY INSTRUCTIONS

READ CAREFULLY AND KEEP FOR FUTURE REFERENCE

Read this manual thoroughly before first use, even if you are familiar with this type of product. The safety precautions enclosed herein reduce the risk of fire, electric shock and injury when correctly adhered to. Keep this manual in a safe place for future reference. If applicable, pass these instructions on to the next owner of the appliance.



Pay particular attention to messages that follow this safety alert symbol or the words **DANGER**, **WARNING** or **CAUTION**. These words are used to alert you to a potential hazard that can seriously injure you and others.

The instructions will tell you how to reduce the chance of injury and let you know what can happen if the instructions are not followed.



This symbol alerts you to take care as the appliance contains flammable materials: isobutane as refrigerant and cyclopentane as insulation blowing gas. While isobutane (R600a) is a gas with a high level of environmental compatibility, it is nevertheless flammable.

Do not expose the appliance to high heat, sparks and open flames.

During transport and installation, ensure that none of the components of the refrigerant circuit become damaged.

REFRIGERANT MATTERS

WARNING! Do not damage the refrigerant circuit!

Never use an appliance with a damaged refrigerant circuit!

If the refrigerant circuit becomes damaged, avoid proximity to open fires and all types of heat and ignition sources. Thoroughly ventilate the room in which the appliance is located. The room for installing the appliance must be at least 1m³ per 8g of refrigerant. The amount and type of refrigerant in the appliance can be found in the Technical Specifications on the 'Basic Instructions Page' and on the appliance rating plate.



It is hazardous for anyone other than an authorised service person to service this appliance. In Queensland, the authorised service person **MUST** hold a Gas Work Authorisation for hydrocarbon refrigerants to carry out servicing or repairs which involve the removal of covers and the opening of refrigeration piping system.

RESPONSIBLE DISPOSAL

At the end of its working life, do not throw this appliance out with your household rubbish. Electrical and electronic products contain substances that can have a detrimental effect on the environment and human health if disposed of inappropriately. Observe any local regulations regarding the disposal of electrical consumer goods and dispose of it appropriately for recycling and recovery of the refrigerant and blowing agent. Contact your municipal authorities for advice on recycling facilities in your area.

WARNING! This refrigeration appliance contains flammable refrigerants and insulation blowing gases, which must be removed before disposal. Contact your municipal authorities for any codes or regulations concerning the disposal of such materials.

DANGER! Risk of child entrapment: When discarding this or another refrigerator, make sure to take off the door and leave the shelves/racks/drawers in place so that children cannot easily climb in and get trapped inside.

ELECTRICAL SAFETY

VOLTAGE

Plug the appliance in a 220-240V, 50Hz, properly earthed power outlet, which must be in good working order. Make sure your outlet voltage and circuit frequency correspond to the voltage stated on the appliance rating label

FLUCTUATIONS

If voltage fluctuates in your area, especially Perth and WA which is more common, you are best to invest in a voltage regulator, this can be purchased on our website, model AVS-1000.

POWER CONNECTION

Do not use an adaptor; **do not** use an extension cord. Plug the power plug directly into a separate power point that cannot easily be turned off accidentally, and that is easily accessible so you can switch it off when required.

POWER CORD

Do not kink or damage the power supply cord. Do not leave it exposed or dangling. Secure it behind the appliance so no one steps on or places anything on the power supply cord or against it. A squashed or damaged power plug may overheat and cause a fire.

DAMAGED CORD

Do not use a cord that shows cracks or abrasion damage along its length or at either end. Any damage to the cord may cause a short circuit, fire and/or electric shock. If the power cord is damaged, it must be replaced by the manufacturer or its service agent. To arrange a replacement, please contact the service department on **1300 376849 (Ext2)** or email **vicSERVICE@bar-fridges-australia.com.au**

DISCONNECTION

Never unplug the unit by pulling the cord. Always grip the plug firmly and pull straight out from the power point.

ELECTRICAL WORK

If the installation of this appliance requires any electrical work (ie: if a new power point is required), make sure it is carried out by a qualified electrician.

USAGE CONDITIONS AND RESTRICTIONS

INDOOR DOMESTIC AND/OR COMMERCIAL USE

This appliance is intended for indoor domestic use or industrial / commercial only.

INTENDED PURPOSE

Do not use this appliance for anything other than its intended purpose, and only use it as described in this manual.

Do not attempt to alter or modify this appliance in any way.

USAGE RESTRICTIONS

This appliance is not intended for use by persons (including children) with reduced physical, sensory or mental capabilities, or lack of experience and knowledge, unless they have been given supervision or instruction concerning the use of the appliance by a person responsible for their safety.

WARNING! Do not use any electrical appliances (such as ice cream makers) inside refrigeration appliances, unless they are approved for this purpose, by the manufacturer.

USAGE CONDITIONS AND RESTRICTIONS (Con't)

CHILDREN

Supervise children to ensure they do not play with the appliance.

Close supervision is necessary when any appliance is used by or near children.

Never allow children to operate, play with or crawl inside the appliance.

NO USE FOR LONG PERIODS

If the refrigerating appliance is left empty for long periods, switch off, defrost, clean, dry, and leave the door open to prevent mould, condensation and/or odors developing within the appliance.

IMPORTANT

- Store wine in sealed bottles
- Do not overload the cabinet – this will prevent air circulation and efficiency
- Do not open the door unless necessary - Opening the door for long periods can cause a significant increase of the temperature in the compartments of the appliance.
- Do not cover the shelving with aluminum foil or any other materials that may prevent air circulation

CLEANING AND MAINTENANCE

WARNING!

Do not use sharp objects or metal instruments to remove frost or clean the appliance.
Do not use mechanical devices or other means to accelerate the defrosting process.
Do not use hairdryers or any electrical heaters to accelerate the defrosting process.
Do not use high pressure water to clean the appliance.
Use a plastic scraper, if absolutely necessary.

DISCONNECT

Unplug the appliance before cleaning or servicing. Failure to do so can result in electric shock, injury or death. Do not connect or disconnect the plug when your hands are wet.

FLAMES

Do not let open flames or ignition sources enter the appliance.

FLAMMABLE/EXPLOSIVE SUBSTANCES

Never clean this appliance with flammable fluids. Do not store or use volatile, flammable or explosive substances such as aerosol cans with a flammable propellant in or close to this or any other appliance. The fumes can create a fire hazard or explosion.

SOLVENTS

Clean the inside cabinet of fridge with a clean damp cloth, with neutral soap/detergent.
Avoid damage by never using abrasive or flammable cleaning products.
Do not use solvent based cleaning agents or abrasives on the interior as these may damage or discolor the surfaces of the appliances.

DOOR SEAL

Use eucalyptus oil twice a year with clean cloth to wipe and clean the 'door seal'.

STAINLESS STEEL

If you have purchased a stainless steel model, please see stainless steel care guide supplied with purchase. Alternatively, find the guide here:

<https://bar-fridges-australia.com.au/pages/stainless-steel-care-guide>

CONDENSOR

Clean the condensor every 12 months with a vacuum cleaner and/or brush to eliminate any dust accumulating. The condensor is located at rear/bottom section of unit so it may require a technician to assist. In most cases in normal installations the build up of dust and particles will be very minimal, but is recommended to prolong the life of your appliance.

SERVICE AND REPAIRS

Do not attempt to repair, modify or replace any part of the appliance unless specifically recommended in this manual. Refer all other servicing to a qualified technician, or contact the sales support line for advice on examination or repair of the appliance on **1300 376849 (Ext2)**, or you can also email us **vicservice@bar-fridges-australia.com.au**

ITEMS STORED INSIDE THE CABINET

- This appliance is intended to be used exclusively for the storage of wine or beverages.
- It is 100% not recommended to store blood, biological or special pharmaceuticals in the fridge.
- Keep items/drinks at least 1-2cm away from walls to allow better air flow and to stop drinks freezing over.
- Warranty does not cover 'contents' in any circumstance

INSTALLATION BASICS

HEAVY

This appliance is heavy, take care when moving it. To avoid back or other injury, consider a two person lift or mechanical aid when installing it. Failure to do so can result in back or other injury.

BUILT-IN DESIGN

This appliance can be 'built into' cabinetry, however, the appropriate clearance needs to be provided on installation. See specifications found in this manual.

KEEP IT UPRIGHT

Do not tilt the fridge more than 45° from upright when moving it. Otherwise leave standing upright for 24hours before switching on again.

HANDLE WITH CARE

Do not apply force to any part such as the condenser or door
Do not carry the fridge by carrying the door.

VENTILATION

Ensure proper ventilation by keeping any ventilation openings, in the appliance enclosure or in the built-in structure, free and clear of obstructions. Ensure adequate air circulation around the appliance to prevent overheating. Exact clearance measurements can be found further in this manual.

POSITIONING

WARNING! When positioning the appliance, ensure the supply cord is not trapped or damaged.
WARNING! Do not locate multiple portable socket outlets or portable power supplies at the rear of the appliance.

LEVEL

Install the appliance level in order to ensure proper operation. If necessary, adjust the levelling legs at the bottom of the unit.

LOCATION

Install the appliance in an area that meets the following requirements:

- Avoid area's where the appliance would be exposed to direct sunlight, and/or sources of heat, (stove, heater, radiator, etc.) – This will void your warranty
- The ambient temperatures must correspond to the climate class (T) indicated on the rating plate of the appliance: (ie: (T) Rated is 16°C to 43°C) **(SEE TABLE BELOW)**
- The floor must be sturdy, level and strong enough to support the unit when fully loaded.
- Avoid area's where the appliance would be exposed to extreme cold ambient temperatures or excessive moisture and high humidity (such as outdoors or exposed to wind, rain water spray or drips).
- Avoid positioning anywhere where water can penetrate 'under' or on 'top' of the fridge. It could cause damage to the internal workings and is potentially dangerous.
- Once into position: Allow at least 30minutes before turning the appliance "ON".

AMBIENT ROOM TEMPERATURE

This appliance is designed to operate in ambient temperatures specified by its temperature class marked on the rating plate.

| Class | Symbol | Ambient Temperatures range(°C) |
|--------------------|--------|--------------------------------|
| Extended Temperate | SN | + 10 to + 32 |
| Temperate | N | + 16 to + 32 |
| Subtropical | ST | + 16 to + 38 |
| Tropical | T | + 16 to + 43 |

INSTALLATION TIP: Installing it in the coolest area of the room will save energy consumption and running costs.

SUNLIGHT, HEAT SOURCES and EXTREME COLD

- The fridge must not be exposed to direct sunlight.
- Heat sources may increase electrical consumption.
- Extreme cold ambient temperatures may also cause the unit not to perform properly.

POWER FAILURE

- If the unit is unplugged, power is lost, or turned off, you must wait at least 3 to 5 minutes before restarting the unit.
- Most power failures are corrected within a few hours and should not affect the temperature of your appliance if you minimize the number of times the door is opened.
- If the power is going to be off for a long period of time, you need to take the proper steps to protect your contents.

MOVING YOUR WINE / BEVERAGE FRIDGE

If you need to move your fridge after use, please follow these steps.

- Remove all items.
- Take out the loose items inside the Wine/Beverage fridge (such as shelf), or fix the loose items with the foam.
- Turn the adjustable leg up to the base to avoid damage.
- Tape the door shut (**We do not recommend** packing tape, or cheap masking tape).
- Be sure the appliance stays secure in the upright position during transportation. Also protect outside of appliance with a blanket or similar items.

The importer is not responsible for damages or accidents arising from the misuse or disregard of electrical laws relevant to the country where this product is used.

SETTING UP YOUR NEW BD425 (BASICS)

REMOVE PACKAGING

Unbox your unit, and remove all packaging materials, including the foam base, and any adhesive films and/or tapes from the fridge.

Remove any/all protective films, to ensure the thermal dissipation from the appliance.

CHECK YOUR PARTS

Check the parts and accessories inside the packaging, against the components list (see below). If you are missing any parts, please call **1300 376849 (Ext2)**, or you can also email us **vicSERVICE@bar-fridges-australia.com.au**

INSTALL INTO LOCATION

Once delivered and shifted into location, let the appliance stand upright for approximately 12 hours before connecting it to the power source, which helps to reduce the possibility of a cooling-system malfunction from handling during transportation.

CLEAN BEFORE USE

Before use, please clean the inside cabinet of fridge with a clean damp cloth with a neutral soap/detergent.

INSTALLATION OF DOOR HANDLE

Install the door handle provided with the appliance by following these steps:

Step 1

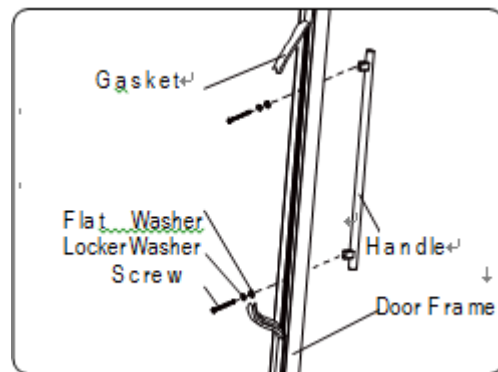
Remove the door seal at the inner side of the door to expose the two screw holes, pinching as close as possible to frame to lift out slowly

Step 2

Install the handle tightly with the screws and washers provided.

Step 3

Tidy and restore the door seal.



INSTALLATION OF DRAWER HANDLE (BD425D-X and BD425D-BX ONLY)

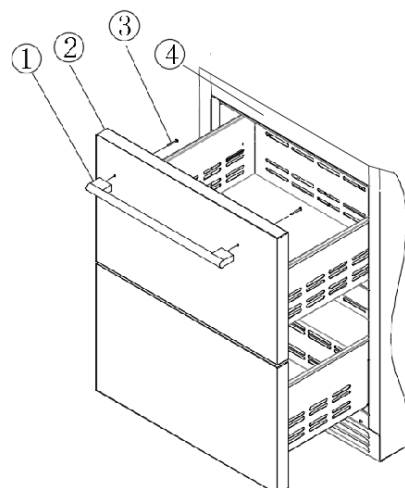
| | | | |
|----------------|----------------|-----------|-----------|
| 1. Pull Handle | 2. Drawer face | 3. Screws | 4. Fridge |
|----------------|----------------|-----------|-----------|

Step 1

Take the handle and the screws from inside fridge packaging.

Step 2

Align holes on the drawer and holes on the handles and attach using the screws provided, tighten the screws properly (do not overtighten).



REVERSING THE DOOR HINGE

(RIGHT HINGE TO LEFT HINGE)

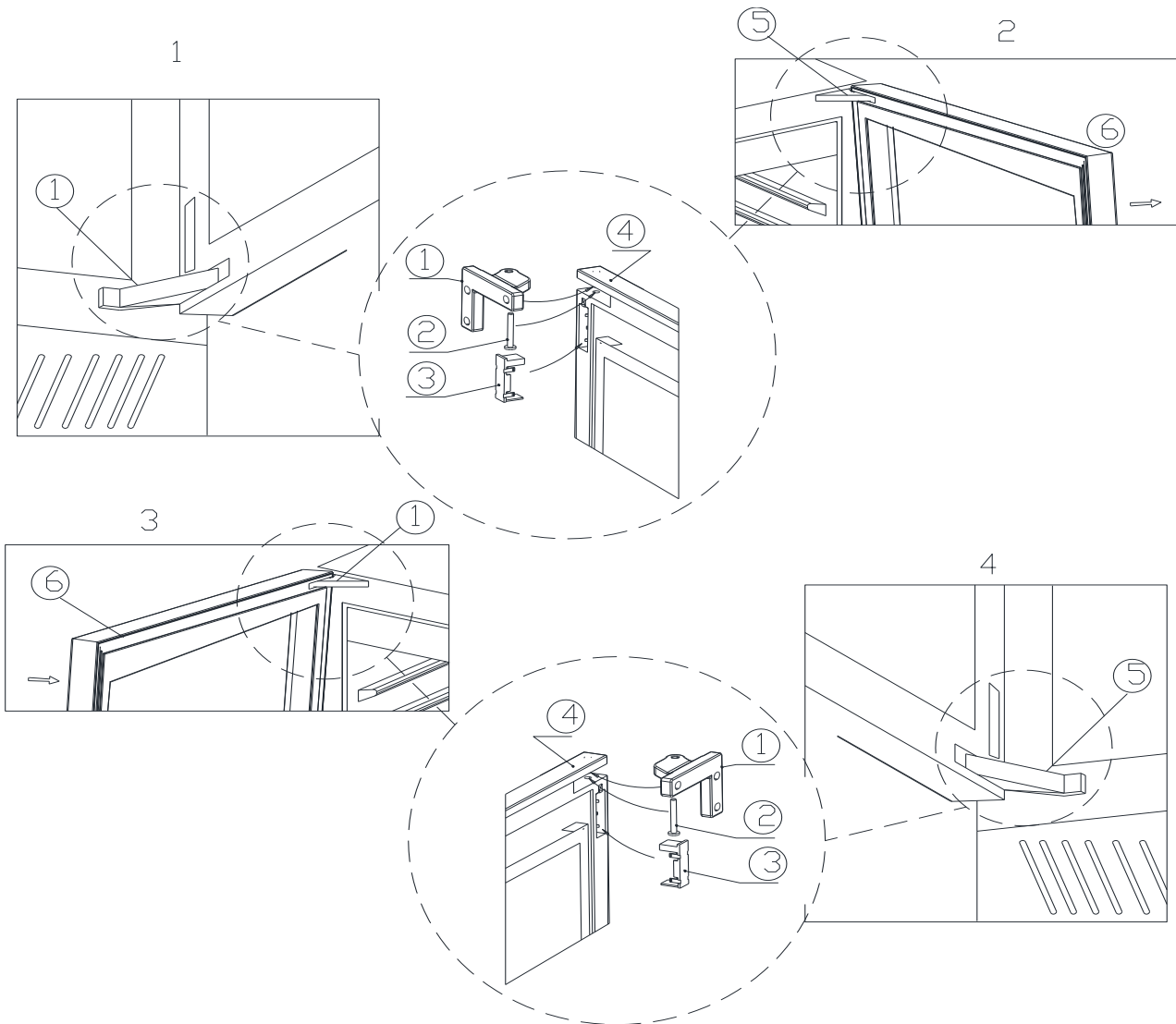
Directions and diagrams are based on a right hand hinged door, being swapped to a left hand hinged unit. If swapping from left to right, simply mirror the instructions)

If you require the door swing to be changed, you can do this at home with some basic tools, **but we also recommend upto 2 other people to assist**, as the door is very heavy an awkward to manouver.

Steps below may vary, depending on if fridge is straight out of the box or has already been installed. However, it is best to decide which side hinge is required, **before** installing into place.

Please follow the below steps:

| | | |
|------------------------|------------------------|----------------|
| 1. Upper Hinge Bracket | 2. Hinge Pin | 3. Hinge Cover |
| 4. Upper Hinge | 5. Lower Hinge bracket | 6. Glass Door |



STEP 1

As shown in **Figure 1**, use a flat-blade screwdriver to open the upper hinge cover (3) to see the hinge shaft (2), and then use a flat-blade screwdriver to pry out the hinge pin (OR, in newer models, use an allen key to unscrew the hinge pin) from the door and hinge bracket, and take it out.

As shown in **Figure 2**, the installation method of the upper door hinge is much the same as the lower hinge. Repeat the procedure to pry out the lower hinge pin.

REVERSING THE DOOR HINGE (Cont)

STEP 2

When the upper and lower hinge pins have been removed, grab a friend and carefully lift the door **Up and Off** the fridge.

Place the door, glass side down, ideally onto an empty table with a blanket, to avoid marking the door whilst you continue to work.

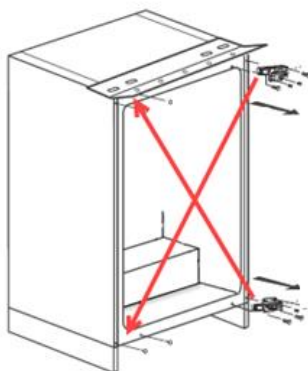
STEP 3

With the door removed, use an allen/hex key wrench to remove both the upper and lower door hinge screws (3 each hinge), to remove the upper and lower door hinge brackets.

STEP 4 - Pay special attention to this:

Gently remove plugs on the opposite side of the fridge (ie: where you want the hinge to be). You can now install the hinge brackets on your preferred side.

- The **right upper** hinge is now positioned into the **left lower** hinge.
- The **right lower** hinge is changed into the **left upper** hinge position. Make sure to secure the hinge screws tightly



STEP 5

The glass door is also turned 180 degrees to install, with the lock hook and door alarm magnet being removed and reinstalled to the opposite side (Top to Bottom / Bottom to Top)

See how to change the door alarm magnet and lock pieces on next page

STEP 6

Grab two (2) friends, and lift the door as shown in **Figure 4** into place. Firstly insert the lower hinge bracket into the corner fitting of the door, and gently align the mounting holes. Whilst your 2 friends are still holding the door, insert the hinge pin into the hinge bracket to secure its position. Make sure the lower pin is installed all the way. Then simply reinstall the hinge cover and the installation of the lower part of the door is now completed.

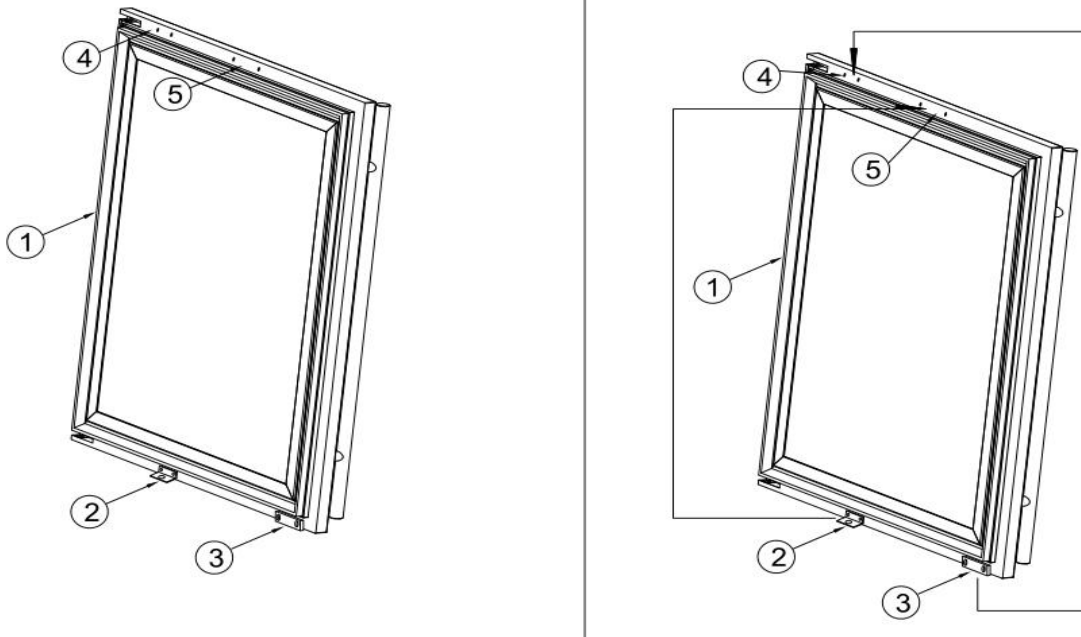
STEP 7

Whilst you still have someone assisting you by holding the door, align the top of the door and the hinge bracket as shown in **Figure 3**. When aligned correctly, tighten the screw-in pin with an allen/hex key, until its level with the top of the door, to prevent the door from failing off. Once screwed in carefully, reinstall the hinge pin cover, and the door swing change is now finished.

STEP 8

With a friend, carefully lift the fridge off its back, and let rest at least 12 hours, before turning the unit on.

CHANGING THE DOOR ALARM PARTS AND DOOR LOCK



| | | | | |
|---------|---------|----------------------|--------------------|------------------|
| 1. Door | 2. Lock | 3. Door alarm magnet | 4. Magnet fix hole | 5. Lock fix hole |
|---------|---------|----------------------|--------------------|------------------|

STEP 1

After changing the door, first unscrew ② lock and ③ magnet like pic1 ;

STEP 2

Then fix the ② lock to the position of ⑤ lock fix hole

STEP 3

Change the ③ magnet to position of ④ magnet fix hole

INSTALLATION OF YOUR BD425 WINE/BEVERAGE FRIDGE

Important information

- This appliance is designed to be used in a free standing installation **or** built-in (fully recessed)
- This appliance must be placed into position in accordance with these instructions.
- The appliance must be installed on a smooth flat surface.
- **There is four (4) front and rear feet that can be adjusted (clockwise and anti-clockwise) as required, to ensure the appliance is level and square.**
- Correct adjustment of the feet avoids excessive noise and vibration.

BD425 - FRIDGE MEASUREMENTS

| | |
|--------|--------|
| Height | 1800mm |
| Width | 595mm |
| Depth | 695mm |

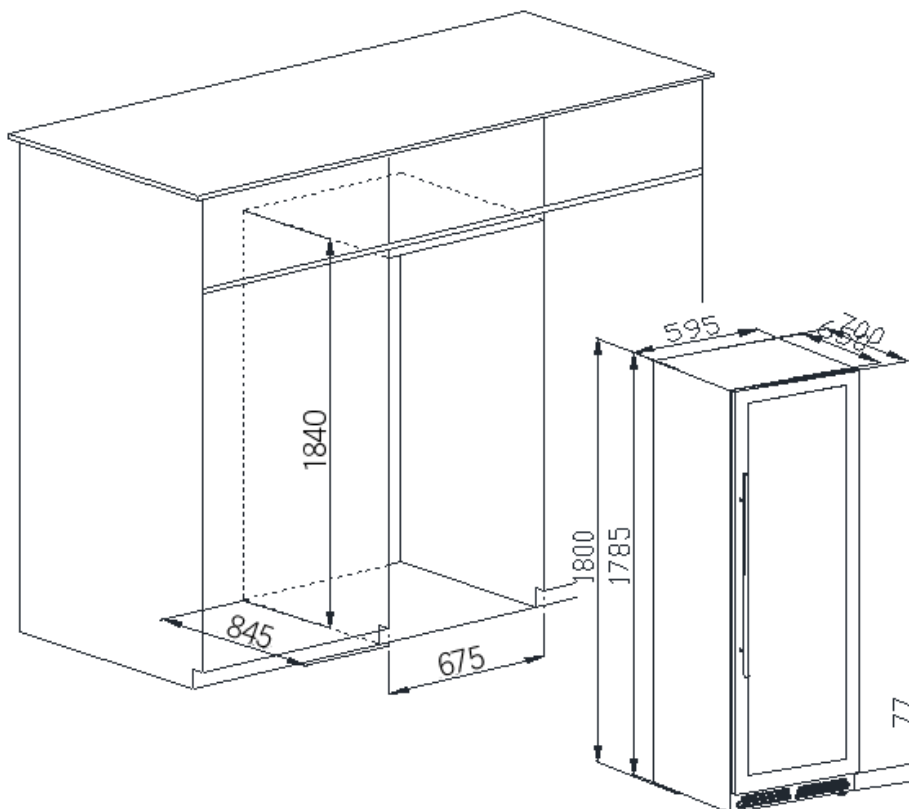
VENTILATION REQUIRED (minimum's)

| | |
|-------|-------|
| Top | 40mm |
| Rear | 150mm |
| Sides | 40mm |

CABINET SIZE REQUIREMENTS (if building-in to cabinetry) (INTERNAL MEASUREMENTS)

| | |
|--------|-----------------|
| Height | At Least 1840mm |
| Width | At Least 675mm |
| Depth | At Least 845mm |

NOTE: To avoid any loss in performance, air suction channels must not be obstructed.



TEMPERATURE SETTINGS

Directions on how to change these default set temperatures can be found on the next 3 pages. Make sure you study the correct operating instructions for your particular model.

FACTORY DEFAULT TEMPERATURE SETTINGS

BD425 - Single Zone models

Once connected to a power supply, the Fridge will take some time to reach its default preset temperature of 12°C.

BD425 - Dual Zone models (Single Door)

Once connected to a power supply, the top compartment of your fridge will take some time to reach its default preset temperature of 8°C.

The lower compartment of your fridge will take some time to reach its own default preset temperature of 14°C.

BD425D-X Models (Half Door / 2x Drawer)

Once connected to a power supply, the top compartment of your fridge will take some time to reach its default preset temperature of 12°C.

The lower compartment of your fridge will take some time to reach its own default preset temperature of 6°C.

ALLOW UNIT TO REACH SET TEMPERATURE

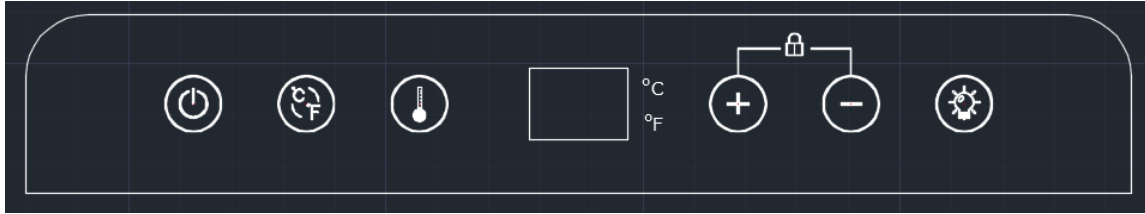
Once the appliance has reached its set temperature (could be around 2-3hrs after powered up), you can then place drinks inside.

TIP:

After changing the temperature setting, it will take some time before the fridge reaches a balance across the whole compartment.


How long this takes will depend on the ambient temperature, the amount of drink/s stored inside, and how often the door is opened.

OPERATION AND TEMPERATURE CONTROL – SINGLE ZONE ONLY





There is one(1) central display window, with a 2-digit LED display . This can display the set temperature or actual interior temperature.

Powering On/Off


To switch the unit ON or OFF, press and hold the  Power switch for 3 seconds.

Keypad lock-out function

If there is no operation/use of the digital controller for 3 minutes, it will lock automatically.


Simply press and hold, both the  and  buttons for 3 seconds to unlock.



Celsius and Fahrenheit (°C/°F)

To switch between Celsius and Fahrenheit (°C/°F) settings, press the  button to change the temperature display between Celsius and Fahrenheit.

Lights

When the door is opened, the LED lighting will be switched on automatically.


Alternatively, Press  to turn the LED lighting on or off.



Alternatively, if you want the lights to ALWAYS be ON, open the fridge door (so lights are ON) and press the  button, so the lights turn OFF. Press  again, so the lights turn ON.

The lights will now stay ON, even when the door is closed.

(To reverse this function, open the door, and press  the to turn the lights off. You can then close the door

Setting the Desired Temperature

Press  before attempting to adjust the cabinet temperature. The LED window will then flash and show the current set temperature. After 5 seconds, the LED window will show the current internal temperature.

Adjust the temperature in 1°C degree increments by pressing the  or  button/s until desired temperature is reached.

Temperate range and default

| | Min Set Temp | Max Set Temp | Factory Default Temp |
|--------------------------------------|--------------|--------------|----------------------|
| BD425 (Single Zone models) | 1°C | 18°C | 12°C |


NOTE: After the unit is unplugged, the system will return to factory default set temperature

OPERATION AND TEMPERATURE CONTROL – DUAL ZONE ONLY





There are 2 Display windows, each with a 2-digit LED display for each compartment. These can display the set temperature or actual interior temperature.

Powering On/Off


To switch the unit ON or OFF, press and hold the  Power switch for 3 seconds.

Keypad lock-out function

If there is no operation/use of the digital controller for 3 minutes, it will lock automatically.


Simply press and hold, both the  and  buttons for 3 seconds to unlock.



Celsius and Fahrenheit (°C/°F)

To switch between Celsius and Fahrenheit (°C/°F) settings, press  the button to change the temperature display between Celsius and Fahrenheit.

Lights

When the door is opened, the LED lighting will be switched on automatically.

Alternatively, Press  to turn the LED lighting on or off.

Alternatively, if you want the lights to ALWAYS be ON, open the fridge door (so lights are ON) and press the  button, so the lights turn OFF. Press  again, so the lights turn ON.


The lights will now stay ON, even when the door is closed.



(To reverse this function, open the door, and press  the to turn the lights off. You can then close the door

Setting the Desired Temperature

Each zone can be set at different temperatures.



Top Compartment

Press  before attempting to adjust the cabinet temperature. The LED window will then flash and show the current set temperature of the Top Compartment.

Adjust the temperature in 1°C degree increments by pressing the  or  button/s until desired temperature is reached. After 5 seconds, the LED window will show the current internal temperature.

Bottom Compartment

Press  again, and the display will switch over to the bottom compartment. Again, adjust the

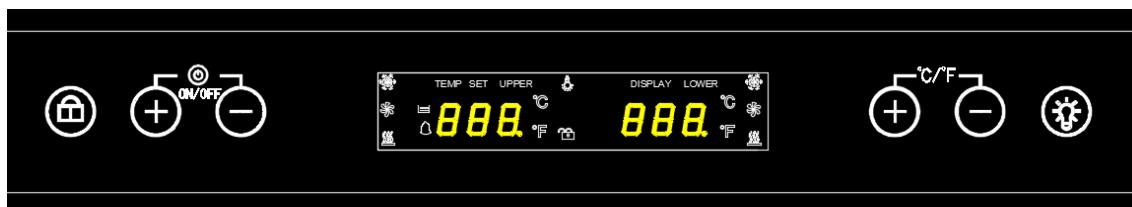
temperature in 1°C degree increments by pressing the  or  button/s until desired temperature is reached. After 5 seconds, the LED window will show the current internal temperature.

Temperature range and defaults

| | Min Set Temp | Max Set Temp | Factory Default Temp |
|--------------------|--------------|--------------|----------------------|
| Top Compartment | 5°C | 12°C | 8°C |
| Bottom Compartment | 12°C | 20°C | 14°C |


NOTE: After the unit is unplugged, the system will return to factory default set temperature

OPERATION AND TEMPERATURE CONTROL – X DRAWER MODELS



There are 2 Display windows, each with a 2-digit LED display for each compartment. These can display the set temperature or actual interior temperature.

Powering On/Off

Power switch is on on left hand side of the control panel 


Press and hold  and  together for 3 seconds to turn on or off the unit.



Keypad lock-out function

Press and hold  for 2 seconds to unlock/lock the controls.


If there is no keypad operation after 15 seconds, the buttons will be locked again automatically.

Celsius and Fahrenheit (°C/°F)

To switch between Celsius and Fahrenheit (°C/°F) settings, use the **right side** controls. 



Press and hold  and  together for 3 seconds to change the temperature display between Celsius and Fahrenheit.

Lights

Press  to turn the LED lighting on or off.



Setting the Desired Temperature

Each zone can be set at different temperatures.

Simply press either  or  buttons before attempting to adjust the cabinet temperature. The LED window on the corresponding side will then flash and show the current set temperature. After 5 seconds, the LED window revert to showing the current internal temperature.



Top Compartment

The LEFT LED window display, shows the temperature of upper/top compartment.

Adjust the temperature in 1°C degree increments by pressing the left side  or  buttons until desired temperature is reached.

Bottom Drawers

The RIGHT LED window display, shows the temperature of bottom drawers.

Adjust the temperature in 1°C degree increments by pressing the right side  or  buttons until desired temperature is reached.

| | Min Set Temp | Max Set Temp | Factory Default Temp |
|-----------------|--------------|--------------|----------------------|
| Top Compartment | 5°C | 20°C | 12°C |
| Bottom Drawers | 2°C | 12°C | 6°C |

NOTE: After the unit is unplugged, the system will return to factory default set temperature

VERSATILE SHELVING

BD425 use's heavy-duty chromed ball-bearing slide-out shelves.

This versatile shelving allows you to;

- Adjust shelving height up or down
- Swap flat beer shelving with special wine shelving, which has low-vibration rubber saddles that "cradle" the bottles, stopping them from rolling on the shelves.
- Slide-out shelving allows you to reach contents on the rear of the shelf easily.
- Heavy-duty shelving to support a wide range of products.

HOW TO OPERATE THE PULL OUT SHELVES (WINE AND BEER)

- Make sure the door is opened all the way, to prevent damaging a door seal/gasket, before pulling the shelves out of their track.
- For easy access to the storage content, you must pull the shelves approximately 1/3 out of the track.
- This unit was designed with a notch on each sides of the shelf tracks, to prevent bottles from falling.
- Avoid overcrowding the shelves, as this will reduce air flow, and therefore efficiency.

WINE SHELF SADDLES

The wine shelving has patented movable rubber saddles to rest wine bottles on. These allow you to place the bottles in any position, so you do not have bottles touching each other and clanking.

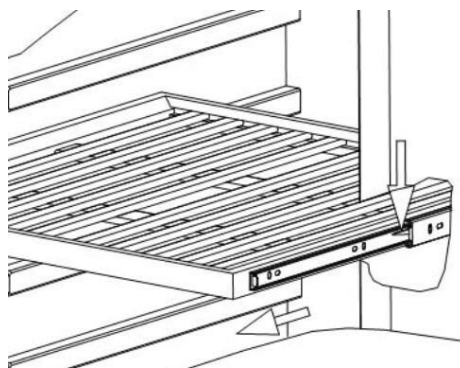
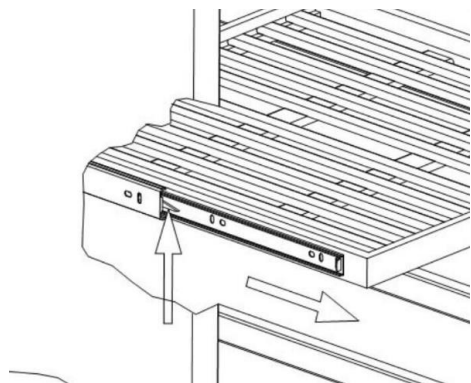


HOW TO ADJUST / CHANGE SHELF CONFIGURATION

TO REMOVE A SHELF

Shelving is unique with the beer and wine matching units, you can interchange beer for wine and wine for beer. Please refer to the following directions to replace a shelf with a different option.

- First, slide the shelf out to the furthest point, ensuring the door is **WIDE** open. You will notice 2x flippers located on either side of the shelf on the rail.
- Position both hands on either side of the shelf so that your fingers can rest on both flippers.
- On the **RIGHT-HAND** side, push the flipper **DOWN**.
- On the **LEFT-HAND** side, pull the flipper **UP**.
- While holding the flippers like this, you can pull the shelf all the way out and remove it from the fridge.



TIPS

- Don't be scared to pull hard, sometimes it seems tight.
- Push and Pull the flippers like explained as tight as you can.
- Make sure door is **fully open at least 90°**, or it's hard to get fingers in right position.

TO RE-INSERT A SHELF (AT SAME HEIGHT)

- The support rail inside the fridge & silver bracket the shelf sits inside are both 'C' shaped.
- Make sure both sides of the shelf sit inside this correctly.
- You can use your finger to slide the silver bracket to the front of the support rail.
- You must also make sure that the sides of the shelf sit inside the silver bracket.
- Once the shelf is inside both the black railing & silver bracket, you can push the shelf into the fridge, locking it into the railing.

BD425 SHELF HEIGHT ADJUSTMENT

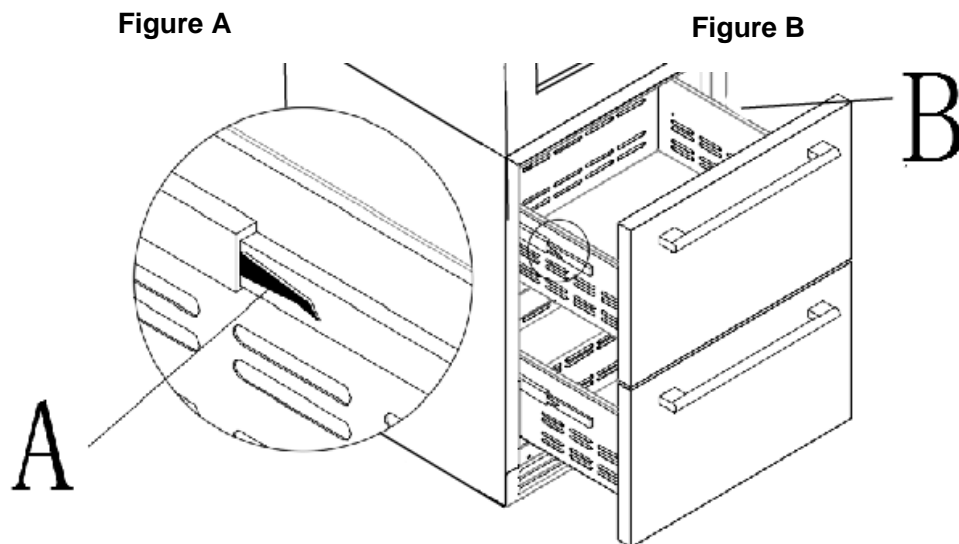
Shelf heights can be easily adjusted across all different models.

- With the centre section of the shelving removed (by following steps above) - , grab the **front** half of the support rail and pull it **up** and **towards the middle** of the fridge.
- The clip/hook that holds the shelf in at the front faces down, as shown in the photo below.
- Once the front of the rail is unhooked, simply pull the back half of the support rail towards yourself and it will release from the fridge.
- When placing the support rail back into the fridge, repeat the steps in reverse.
- Place the support rail into the fridge and place the rear tooth/hook into your desired height level.
- Then, slide the front half of the support rail down, allowing the tooth/hook to sit in the **matching** height slot.
- Push down and outwards slightly, until you hear the support rail click/snap into place.
- Make sure the shelving is at the same height level at all four slots to ensure the shelf is level and supported correctly.



REMOVING THE DRAWERS (BD425D-X Models)

- Pull the drawer out all the way, to the end of their rails.
- Use one hand to press the right plastic notch downwards, as shown in Figure A.
- At the same time lift the left plastic notch upwards with your other hand, as shown in Figure B.
- Hold both notches in these positions, and then proceed to pull the shelf out slowly.



LOCK & UNLOCK THE DOOR (OPTIONAL ON SOME MODELS)

- Lock is an optional function. If your Wine/Beverage fridge has such function, a key should be attached inside the packing of this Manual.
- Insert the key into the lock and turn it counter-clockwise to unlock the door.
- To lock it, please follow the reversed operation.
- Please ensure to keep key in a safe place.

CHARCOAL FILTRATION SYSTEM

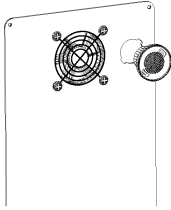
Your wine is a living object that breathes through the cork of its bottle. In order to preserve the quality and taste of your fine wines, they must be stored at the ideal temperature and ambient conditions.

This unit is equipped with an active charcoal filtration system to ensure air purity, cooling efficiency, and to maintain an odor free cabinet for the storage of your fine wines. The filter assembly is located at the rear panel inside your fridge.

Keep in mind that this filter must be changed every 12 months to ensure optimum conditions

TO REPLACE YOUR CHARCOAL FILTER

(these can be purchased via www.bar-fridges-australia.com.au)

| | | |
|---|---|--|
| 1 | Remove the bottles of wine stored on the two (2) shelves in front of the filter. |  <p>Turn Left to remove filter.</p> |
| 2 | Remove the shelves and set aside to be replaced once you have changed the filter | |
| 3 | Hold the filter and turn it at 45 degrees in the counterclockwise direction and then pull it out. | |
| 4 | Remove the existing filter and replace it with a new one. | |
| 5 | Put the new filter into the hole and then turn the filter at 45 degrees in clockwise direction. | |

PROBLEMS WITH YOUR BD425 WINE/BEVERAGE FRIDGE

TROUBLE SHOOTING / BASIC INFO

There are basic things you need to look and check before trying to initiate a technician call out for warranty circumstances.

KNOWLEDGE BASE

This link to our Knowledge Base may be able to assist you with troubleshooting.

<https://www.bar-fridges-australia.com.au/knowledgebase>

NOISE

If your unit has become noisy, please check the following;

- Can you ascertain exactly where the noise is coming from? It may be a loose screw or part of the fridge that is now vibrating and is easy to fix.
- Is the compressor / fridge level, a compressor not level will make a 'clunking' noise on start-up and shut down.
- Does the fan sound noisy? It may be as simple as needing slight adjustment or you may see ice build up near the fan inside.
- A slight sound may be heard when the liquid refrigerant circulates. This is normal.
- A slight sound may be heard when defrosted water drops into the drip tray.

NOTE: The compressor and fans will run for longer periods if excessive quantities of food / drink are stored or the ambient temperature is high.

NOT COOLING

All of a sudden unit has stopped cooling.

- Have you got the controller set correctly? Or has it been altered or changed.
- Is your door sealing properly, check all the way around door seal to make sure it is seating correctly on fridge body, small gaps won't affect cooling.
- Check inner and rear fans are going
 - If you can NOT see the individual blades stationary, the fans will be running
- Does the compressor run? Make sure compressor is running. If it is running and still not cooling and you have a warm fridge then there may be a gas problem and a technician will be needed.

BD425 TROUBLESHOOTING GUIDE

You can solve many common Wine/Beverage fridge problems easily, saving you the cost of a possible service call. If you can, try the following suggestions to see if you solve the problem before calling.

| PROBLEM | POSSIBLE CAUSE | REMEDY |
|---|---|--|
| Wine/Beverage fridge does not operate | No plugged in. The appliance is turned off. The circuit breaker tripped or a blown fuse. | Connect the appliance. Switch on the appliance. Replace the broken fuse in your fuse box or reset the breaker. Make sure the outlet has sufficient amperage. |
| Wine/Beverage fridge is not cold enough | Check the temperature control setting. External environment may require a higher setting. The door is open too often. The door is not closed completely. The door seal does not seal properly. | Check the set temperature. Set a lower temperature. Do not open door or drawers more often than necessary. Close door or drawers properly. Check the seal and clean or replace. Clean the condenser when necessary. Clear the obstructions and wipe off the dust. |
| Turns on and off frequently | The room temperature is hotter than normal. Overload of the cabinet The door is open too often. The door is not closed completely. The temperature control is not set correctly. The door seal does not seal properly. | Put the appliance in a cooler place. Leave the appliance to work for a while until the set temperature has been reached. Do not open the appliance more often than necessary. Close the door or drawer properly. Check the all door seals are clean, seal correctly or replace it. |
| The light does not work | Not plugged in. The circuit breaker tripped or a blown fuse. The bulb has burned out. The light button is "OFF" | Connect the appliance. Switch on circuit breaker or replace fuse. Switch on the light. |
| Vibrations | Check to sure that the Wine/Beverage fridge is level. | Level the appliance with the adjustable feet. |
| Too much noise | The rattling noise may come from the flow of the refrigerant, which is normal. As each cycle ends, you may hear gurgling. Contraction and expansion of the inside walls may cause popping and crackling noises. | |
| | The Wine/Beverage fridge is not level. | Check to make sure that the refrigerator is level, and that it is not in contact with another appliance or furniture. |
| The door will not close properly | The Wine/Beverage fridge. The door was reversed and not properly installed. The door seal is dirty. The shelves are out of position. | Level the appliance with the adjustable feet. Clean the door seals. Check the racks, bins and refit correctly. |

ERROR CODES

SINGLE ZONE MODELS

| Error Code | Error |
|------------|---------------------------------------|
| E1 | Temp Sensor open circuit |
| E2 | Temp Sensor short circuit |
| E3 | Evaporator sensor open circuit |
| E4 | Evaporator sensor short circuit |
| HH | Temp is too high (outside parameters) |
| LL | Temp is too low (outside parameters) |

DUAL ZONE MODELS

| Error Code | Error |
|----------------------------|--|
| E1 | Upper Zone Temp Sensor open circuit |
| E2 | Upper Zone Temp Sensor short circuit |
| E3 | Upper Zone Evaporator sensor open circuit |
| E4 | Upper Zone Evaporator sensor short circuit |
| E5 | Lower Zone Temp Sensor open circuit |
| E6 | Lower Zone Temp Sensor short circuit |
| E7 | Lower Zone Evaporator sensor open circuit |
| E8 | Lower Zone Evaporator sensor short circuit |
| HH on Left display | Once Upper zone temp is too high |
| LL on Left display | Once Upper zone temp is too low |
| HH on Right display | Once Bottom zone temp is too high |
| LL on Right display | Once Bottom zone temp is too low |

COMPLIANCE

This product has been fully tested and meets all requirements as set out by electrical and safety standards AS/NZS 60335.1 and AS/NZS 60335.2.24

All units have been MEPS tested and registered to ISO 23953-2 and F2020L01014 (2020)



The RCM Mark (Regulatory Compliance Mark) indicates that the product complies with the relevant guidelines of the ACMA as well as corresponding government requirements for the safety of electrical devices.



BAR FRIDGES
Cooling the Beers of a Nation Australia