

BAR FRIDGES

Cooling the Beers of a Nation Australia

Bringing the worlds best chillers to Australia

MODEL:
BD113-SS

QUICK INFO

Classy low energy under bench stainless steel freezer with adjustable shelving.

Electronic control, lock and quiet running for indoor applications.

Great for modern day kitchens, something a little classier than white goods freezers.



PARTS AND ENERGY INFO

- 12Volt Fans
- Cyclopentane foaming
- R600 100% ozone safe gas
- Schmick ECO Controller
- Solid Door
- Thick Body
- Schmick ECO Controller
- Schmick OWL Quiet Inner Fans

SPECIFICATIONS

Capacity (litres)	113
Holds (cans)	140
Noise Level	43
Consumption	1.04Kwh/24Hrs
Unit dimensions (WxDxH)	595 x 610 x 800
Lockable	Yes
Gross weight	43 kg



SCHMICK Australia

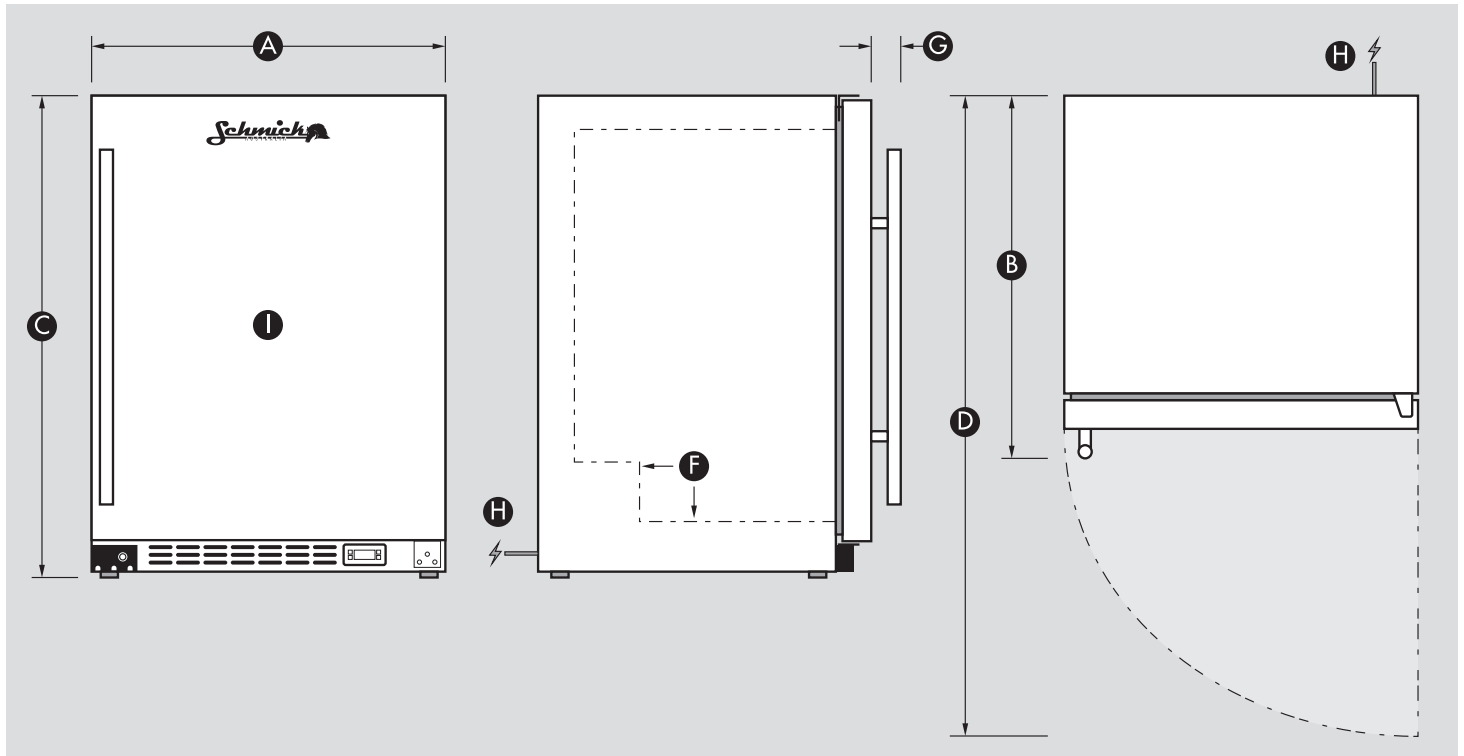
**Specifications and price of this product may change at any time

**For more information about this product please call us or visit our website.

Tested and registered to GEMS Act 2012, using ISO testing standard 23953-2, unit meets MEPS requirements.

PRODUCT INFORMATION

BD113-SS



INFORMATION

DIMENSIONS

(A)	Overall width	595mm
(B)	Overall depth	610mm
(C)	Overall height - includes feet	800mm
(D)	Overall depth with door open	1160mm
(E)	Height of higne cap (included in height above)	N/A
(F)	Internal step inside unit	100mmH x 330mmD
(G)	Depth of handle (adds to depth above)	45mm
(H)	Power cord location & length	1700mm
(I)	Internal fridge dimensions (WxDxH)	470 x 430 x 600mm

Note: Door opens maximum 15mm outside diameter

INSTALLATION & BUILDING INTO CAVITY'S

Minimum cavity size needed (WxDxH)	625 x 645 x 810mm
Venting type of fridge	Front Venting

****Note: If wanting a 'cabinet door' in front of fridge door please contact us****

OTHER HELPFUL INFORMATION

Height floor to bottom of door	80mm
Door size (WxH)	585 x 710mm
Feet height fully tightened	18mm
Height adjustment available on current feet	10mm
Change to Highrise Kit for extra height option	60mm
Shelf Qty / Size	3 x (460mmW x 370mmD)
Wine Shelf available (Y/N)	Yes

PERFORMANCE

Cooling	Temp Range (0° > -22°C)
Application suitability	Indoor
Maximum operating ambient temperature	32°C
IP rating	22
Meps Energy Approved & Food Grade	Yes